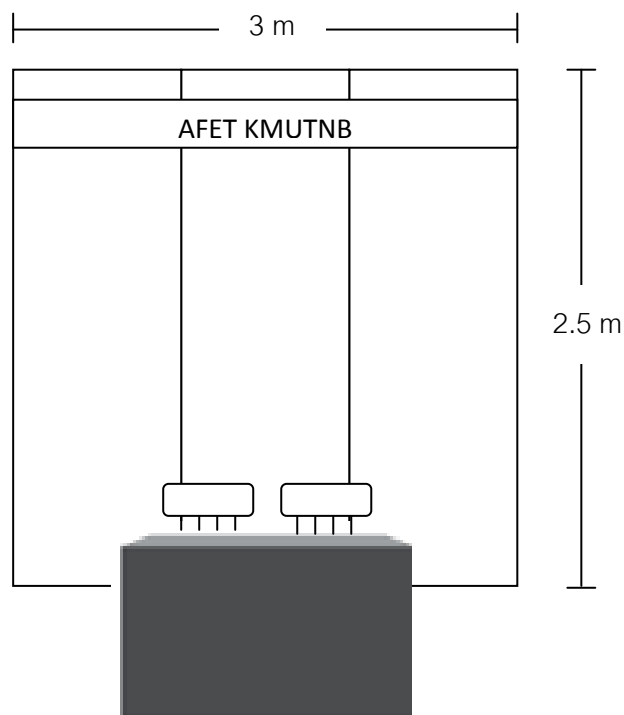


EXHIBITION BOOTH PACKAGE & PRICES (TSB 2017)

Attendees of the TSB2017 seek solutions to the everyday challenges they face. Position your organization face-to-face with attendees may allow you to advertise your products. We offer booth(s) for prospect exhibitor at TSB2017.



An Exhibition Booth includes

- Backwall Booth Display: 2.5 m height x 3 m Length
- 9 sqm Exhibition Area
- Company Identification Sign: 3 x 0.2 m
- One 1.5 m Table with Two Chairs
- One Power Socket and One Spotlight
- Company Listing on the Conference Website and in the onsite program

Exhibition Pricing:

- One Booth: 30000 baht
- Two Booths: 50000 baht



29th Annual Meeting of Thai Society for Biotechnology and International Conference, November 23-25, 2017
FRONTIERS IN APPLIED BIOTECHNOLOGY



KMUTNB



EXHIBITION BOOTH PACKAGE CONFIRMATION

CONTACT DETAILS

Name of Company

Address

.....

Phone: Fax:

E-mail Website

Person in Charge

Job Title

Agreement

- * I confirm my booking for the above stand space at the TSB 2017
- * We agree to be bound by the rules and conditions of the organizers
- * I confirm that I understand the cancellation charges as detailed in the rules and conditions.
- * I confirm that I am authorized to sign this document on behalf of the company
- * Booth (size 3x3 m) consists of one name board, one table, two chair, one spotlight and one power socket.
- * TSB officers will contact each exhibitor to arrange the payment in amount selected below.
- * Total amount must be paid before 30 September 2017

BOOTH REQUEST

- One Booth (30,000 Baht)
- Two Booths (50,000 Baht)

* For other inquiries, please contact +66(2) 555-2000 #4702 or email at tsb2017@gmail.com *

PLEASE FAX BACK TO +66(0) 2 587 8257 OR EMAIL US at tsb2017@gmail.com

To be completed by TSB 2017 Staff: Date received _____ Assigned Location _____